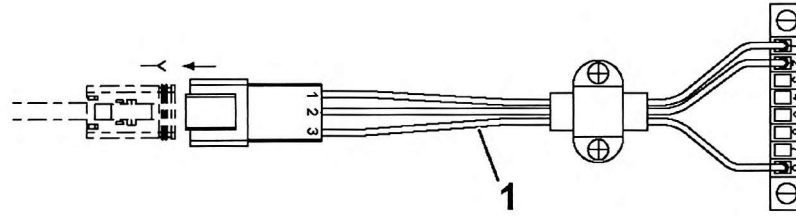
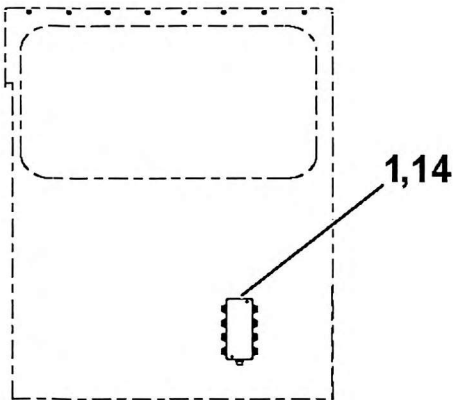


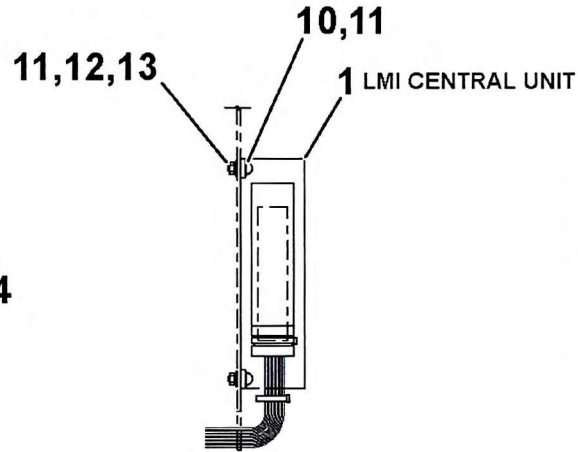
**DETAIL-E**  
LMI DISPLAY



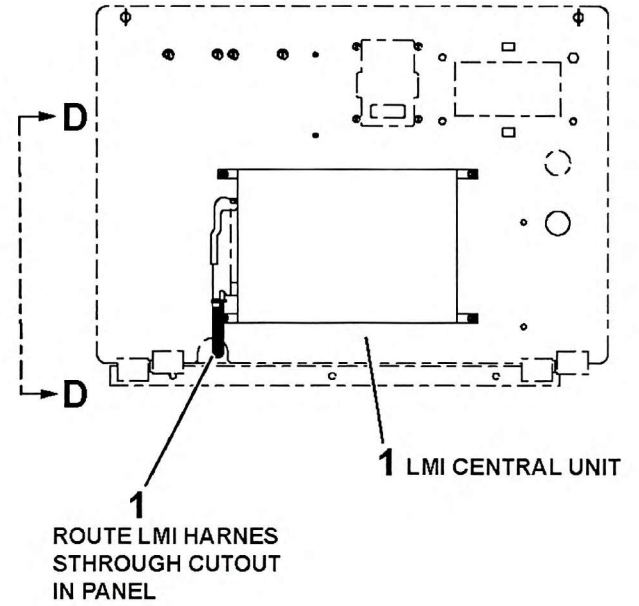
**VIEW F-F**  
LMI DISPLAY ELECTRICAL CONNECTION



**SECTION B-B**  
8-PORT CAN BUS BOX



**VIEW D-D**  
LMI CENTRAL UNIT



**VIEW C-C**  
LMI CENTRAL UNIT

